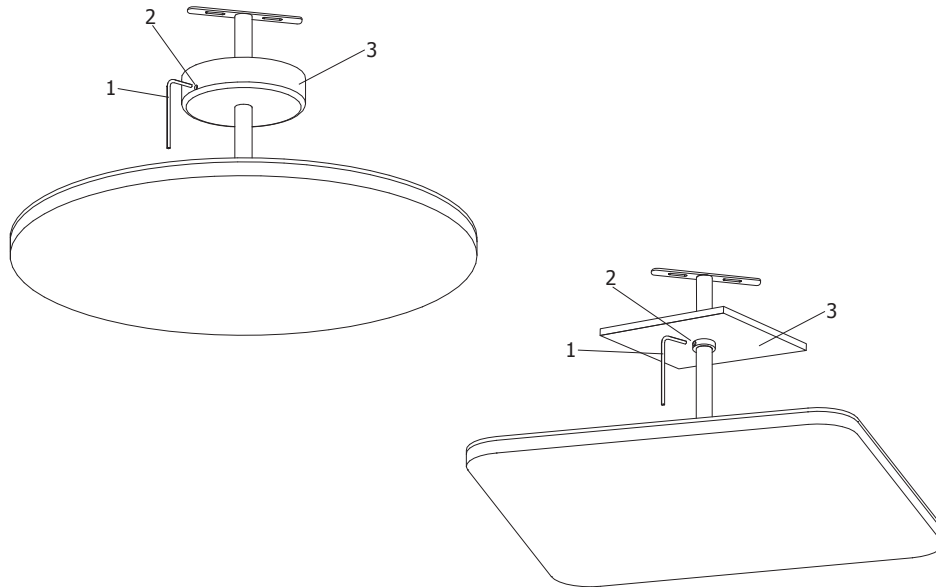


HOLTKÖTTER®

The Ultimate Lighting Machines™

205 Hardman Avenue South, South Saint Paul, MN 55075
Voice: (800) 899-5444 • Fax: (888) 552-8661
e-mail: customerservice@holtkoetter.com
www.holtkoetter.com



Mounting Instructions

1. Disconnect power to the outlet box before installation.
2. Loosen set screw (2) with the allen wrench (1) to lower the finished backplate (3) on the fixture and reveal the crossbar strap.
3. Mount the crossbar strap to the outlet box.
4. Connect the wires from the fixture with the wires in the outlet box according to generally accepted electrical standards.
5. Slide the finished cover plate over the crossbar strap and tighten the set screw (2) with the allen wrench (1) to hold the finished backplate (3) in place.

ASSEMBLY INSTRUCTIONS FOR Semi-Flush LED Ceiling Fixture ORION No. 9911*LED & PEGASUS No. 9912*LED



ORION 9911*LED



PEGASUS 9912*LED

Technical Specifications

LED: 4x Seoul Semiconductor LED (120 V)

Light Output: 2200 Lumens equivalent to 225 W Halogen

System Power Consumption: 40 Watts

Light Color: 2700 Kelvin / CRI: 80+

Dimmer: Full-range dimming of <10% - 100% with a conventional wall dimmer.

Care Instructions

Use only a soft, dry cloth to clean. If necessary, a slightly damp, soft cloth can be used to spot clean. Do not use common household cleaners on lamps or fixtures, as the lacquer on the outside of the brass may be damaged as a result. Enjoy your new Holtkötter lamp.