

HOLTKÖTTER®

The Ultimate Lighting Machines™

2915 Commers Drive, Suite 1000, Eagan, MN 55121
Voice: (800) 899-5444 • Fax: (888) 552-8661
e-mail: customerservice@holtkoetter.com
www.holtkoetter.com

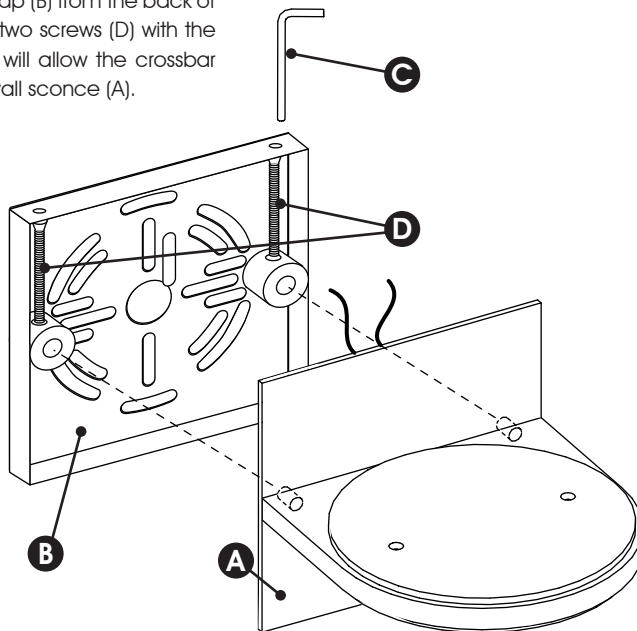
Please make sure that the following parts for your wall sconce are enclosed:

- A. Wall Sconce
- B. Universal Cross-bar Strap (attached)
- C. Allen wrench

IT IS FIRMLY RECOMMENDED THAT A LICENSED ELECTRICIAN INSTALL THIS FIXTURE. DISCONNECT POWER BEFORE SERVICING.

General Installation Instructions

1. Remove the universal crossbar strap (B) from the back of the sconce (A) by loosening the two screws (D) with the allen wrench (C) provided. This will allow the crossbar strap to be separated from the wall sconce (A).
2. Mount the universal crossbar strap (B) to the outlet box before making the wire connections.
3. Connect the wires from the sconce with the wires in the outlet box according to generally accepted electrical standards.
4. Align the metal pins on the back of the wall sconce (A) with the guides on the universal cross-bar strap (B).
5. Making sure the sconce is level, tighten the two screws (D) with the allen wrench (C).
6. Your wall sconce is now operational.



ASSEMBLY INSTRUCTIONS FOR WEGA No. 9561LED & WEGA Square No. 9564LED



9561*LED



9564*LED

Care Instructions

Use only a soft, dry cloth to clean. If necessary, a slightly damp, soft cloth can be used to spot clean. Do not use common household cleaners on lamps or fixtures, as the lacquer on the outside may be damaged as a result.

Enjoy your new Holtkötter lamp.