

HOLTKÖTTER®

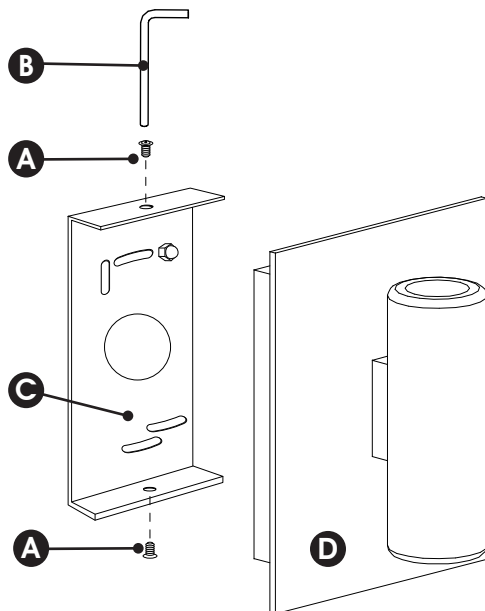
The Ultimate Lighting Machines™

2915 Commers Drive, Suite 1000, Eagan, MN 55121
Voice: (800) 899-5444 • Fax: (888) 552-8661
e-mail: customerservice@holtkoetter.com
www.holtkoetter.com

IT IS FIRMLY RECOMMENDED THAT A LICENSED ELECTRICIAN INSTALL THIS FIXTURE. DISCONNECT POWER BEFORE SERVICING.

General Installation Instructions

1. Loosen the two screws (A) located at the top and bottom of the crossbar strap (C) with the allen wrench (B) provided.
2. Remove the universal crossbar strap (C) from the back of the sconce.
3. Connect the wires from the sconce with the wires in the outlet box according to generally accepted electrical standards.
4. Mount the universal crossbar strap (C) to the outlet box.
5. Align the holes in the crossbar strap (C) to the holes in the fixture (D) and secure the fixture in place by tightening the screws in place with the allen wrench (B).



ASSEMBLY INSTRUCTIONS FOR LED Wall Sconce “RUBEN” No. 9525*LED



Care Instructions

Use only a soft, dry cloth to clean. If necessary, a slightly damp, soft cloth can be used to spot clean. Do not use common household cleaners on lamps or fixtures, as the lacquer on the outside of the brass may be damaged as a result. Enjoy your new Holtkötter lamp.