

HOLTKÖTTER®

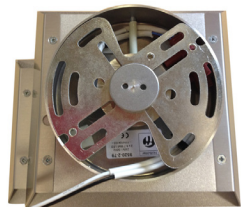
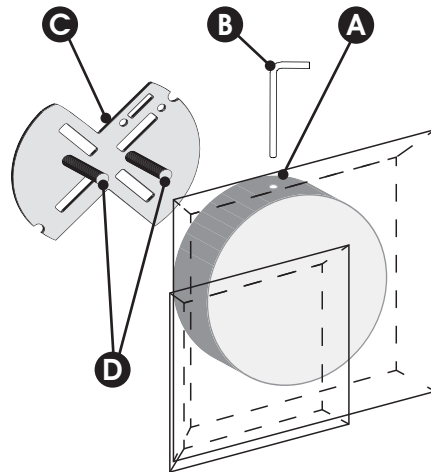
The Ultimate Lighting Machines™

2915 Commers Drive, Suite 1000, Eagan, MN 55121
Voice: (800) 899-5444 • Fax: (888) 552-8661
e-mail: customerservice@holtkoetter.com
www.holtkoetter.com

IT IS FIRMLY RECOMMENDED THAT A LICENSED ELECTRICIAN INSTALL THIS FIXTURE. DISCONNECT POWER BEFORE SERVICING.

General Installation Instructions

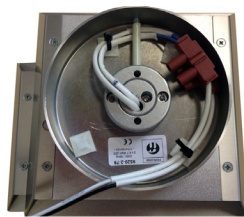
1. Loosen the set screw (A) located at the top of the round cover plate with the allen wrench (B) provided. Remove the universal crossbar strap (C) from the back of the sconce.
2. Connect the wires from the sconce with the wires in the outlet box according to generally accepted electrical standards.
3. Mount the universal crossbar strap (C) to the outlet box.
4. Align the fixture with the two prongs (D) connected to the universal cross-bar strap (C) and secure the fixture in place by tightening the set screw with the allen wrench (B).



Back of fixture with cross-bar strap attached



cross-bar strap



Back of fixture with cross-bar strap removed

ASSEMBLY INSTRUCTIONS FOR LED Wall Sconce “CUBIC” No. 9520*LED



Care Instructions

Use only a soft, dry cloth to clean. If necessary, a slightly damp, soft cloth can be used to spot clean. Do not use common household cleaners on lamps or fixtures, as the lacquer on the outside of the brass may be damaged as a result. Enjoy your new Holtkötter lamp.