

HOLTKÖTTER®

The Ultimate Lighting Machines™

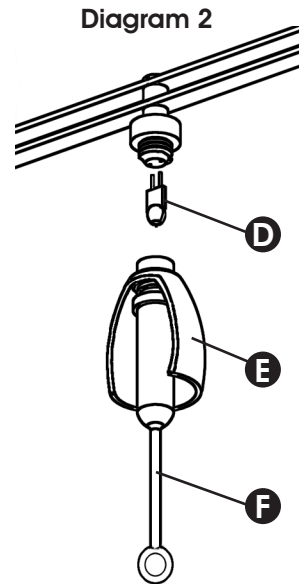
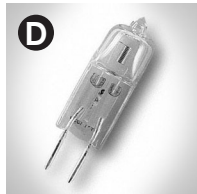
205 Hardman Avenue South, South Saint Paul, MN 55075
Voice: (800) 899-5444 • Fax: (888) 552-8661
e-mail: customerservice@holtkoetter.com
www.holtkoetter.com

Install the Bulbs & Glass (Diagram 2)

1. The bulbs provided with this fixture are specialty low-voltage bulbs by Osram, the Halostar Starlite. Insert the bulbs (D) into the sockets. **NOTE: BE CAREFUL NOT TO TOUCH THE BULB WITH YOUR BARE HANDS.**

CAUTION: Always remember to disconnect power to the fixture before replacing bulbs to prevent damage to the bulbs.

2. Using the plastic socket driver (F) provided, screw each glass shade (E) onto the fixture until it is snug. Do not overtighten.



CSA/UL SAFETY REQUIREMENTS

CSA/UL requires that these **IMPORTANT SAFETY INSTRUCTIONS** be listed:
INSTRUCTIONS PERTAINING TO RISK OF FIRE OR INJURY
LIGHTED LAMP IS HOT!

WARNING: TO REDUCE THE RISK OF FIRE OR INJURY, PLEASE FOLLOW THESE SAFETY INSTRUCTIONS:

1. Turn off power and allow to cool before replacing lamps.
2. Lamp gets **HOT** quickly! Contact only switch/plug when turning on.
3. Keep lamp away from materials that may burn.
4. Do not touch lamp at any time. Use a soft cloth. Oil from skin may damage lamp.
5. Do not operate luminaire with missing or damaged glass.
6. **CAUTION:** The recommended replacement bulbs for this fixture are 20 Watt Halostar bulbs by Osram. Use of other brands of unknown quality may cause a risk of overheating.

Major lamp parts manufactured in Germany by Holtkötter Leuchten GmbH.
Bulbs manufactured in Germany by Osram GmbH. Final assembly by Holtkötter in South Saint Paul, MN.

ASSEMBLY INSTRUCTIONS FOR Low-voltage Halogen Pendants No. 5556 & No. 5559



5556/6



5559/9

Care Instructions

Use only a soft, dry cloth to clean. If necessary, a slightly damp, soft cloth can be used to spot clean. Do not use common household cleaners on lamps or fixtures, as the lacquer on the outside of the brass may be damaged as a result. Enjoy your new Holtkötter lamp.

Holtkötter® and Holtkötter Leuchten® are registered trademarks of Holtkötter. All Rights Reserved.
© Holtkötter

HOLTKÖTTER®

e-mail: customerservice@holtkoetter.com

www.holtkoetter.com

Please make sure that the following parts for your low-voltage pendant are enclosed:

1. Fixture including ceiling canopy, frame and counterweight.
2. Glass shades
3. Bulbs for 5556/6 (5559/9): 6 ea (9 ea) x 20 Watt Halostar by Osram, GY6.35 base.
Order Code: 9250*020-HSTAR

This fixture utilizes an electronic, line-voltage (120 V input) to low-voltage (12 V output) transformer by LIGHTECH, rated at 175 Watts for the 5556/6 and rated at 200 Watts for the 5559/9, allowing for a 20 Watt maximum per bulb.

If you are planning to use a dimmer with this fixture, we recommend using a Lutron ELV (electronic low voltage) style dimmer.

NOTE: The electronic transformer by LIGHTECH is equipped with an automatic reset switch. If the fixture is not working or has created a short, disconnect the power to the fixture and the transformer will reset itself.

**Be sure to turn off the circuit breaker before installing this fixture.
Dry location only.**

**THIS PRODUCT MUST BE INSTALLED IN ACCORDANCE WITH THE APPLICABLE
INSTALLATION CODE BY A PERSON FAMILIAR WITH CONSTRUCTION AND
OPERATION OF THE PRODUCT AND THE HAZARDS INVOLVED.**

Mounting Instructions (Diagram 1)

Parts used:

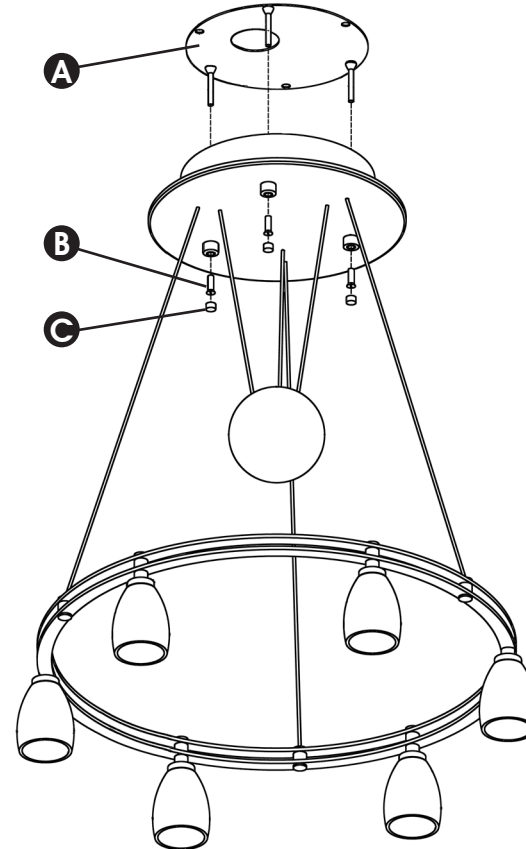
- A) Round ceiling plate with three screws
- B) Three brass tubular nuts
- C) Three decorative knobs

ASSEMBLY INSTRUCTIONS FOR Low-voltage Halogen Pendants No. 5556 & No. 5559

Mounting Instructions (continued)

1. Disconnect power to the box before installation.
2. Remove decorative knobs (C) and the brass tubular nuts (B) that are located under the decorative knobs (C).
3. Remove the round ceiling plate (A) located on the top of canopy.
4. Mount the round ceiling plate (A) to the outlet box.

Diagram 1



5. Connect the wires from the fixture with the wires in the outlet box according to generally accepted electrical standards. Determine the polarity of the cord by rubbing it with your thumb. One side will feel smooth (= hot/black) and the other side will feel rough (= cold/white).
6. Slide the canopy over the round ceiling plate (A) and secure with brass tubular nuts (B).
7. Finally put decorative knobs (C) on the bottom of the canopy.