

HOLTKÖTTER®

The Ultimate Lighting Machines™

205 Hardman Avenue South, South Saint Paul, MN 55075
Voice: (800) 899-5444 • Fax: (888) 552-8661
e-mail: customerservice@holtkoetter.com
www.holtkoetter.com

CAUTION, IMPORTANT SAFETY INSTRUCTIONS

This portable luminaire has a polarized plug (one blade is wider than the other) as a feature to reduce the risk of electrical shock. This plug will fit a polarized outlet only one way. If the plug does not fit fully into the outlet, reverse the plug. If it still does not fit, contact a qualified electrician. Never use with an extension cord unless plug can be fully inserted. Do not alter the plug.

INSTRUCTIONS PERTAINING TO A RISK OF FIRE, ELECTRIC SHOCK, EXPOSURE TO EXCESSIVE UV RADIATION OR INJURY TO PERSONS

WARNING - To reduce the risk of FIRE, ELECTRIC SHOCK, EXPOSURE TO EXCESSIVE UV RADIATION OR INJURY TO PERSONS:

1. Turn off power/unplug and allow to cool before replacing bulb.
2. Bulb gets HOT quickly. Contact only switch/plug when turning on.
3. Do not touch hot lens, guard or enclosure.
4. Do not remain in light if skin feels warm.
5. Do not look directly at lighted lamp.
6. Keep lamp away from materials that burn.
7. Use only with a 100 Watt, G9 halogen bulb or smaller bulb.
8. Do not touch the bulb at any time. Use a soft cloth. Oil from skin may damage bulb.
9. Do not operate the portable luminaire with a missing or damaged guard, lamp containment barrier or UV filter.

SAVE THESE INSTRUCTIONS

ASSEMBLY INSTRUCTIONS FOR

Halogen Torchiera

No. 2517*P1

Featuring "Dimm System Punkt 1" (Dimming System Point 1)

Congratulations, you have just purchased the leading-edge dimming technology from Holtkötter. We have specifically designed the "Dimm System Punkt 1" (Dimming System Point 1 (P1)) to provide specialized features for ease and convenience of use.

Features of the "Dimm System Punkt 1"

Point Dimming - the lamp may be turned on with a single click of the P1 dimmer.

Soft On - the lamp may be turned on with a single click of the P1 dimmer. The lamp will come on low and continue to brighten to full brightness. This allows the eye to adjust to a gradual increase in light.

Soft / Delayed Off - turn the lamp off with a single click of the P1 dimmer. The lamp will dim to 60% brightness of the original setting, remaining briefly at that level to allow you to exit the room; then the lamp gradually turns itself off. This "soft" off provides a few moments of light after turning the lamp off, rather than immediate darkness as is the case with other switches.

Dimming Cycle - to adjust the lamp to the perfect light level for any situation, press and hold the P1 dimmer. The dimmer will cycle through all dimming levels. When the lamp achieves the light level of your choice, release the P1 dimmer.

Tilt Switch - a safety measure is provided with the "Dimm System Punkt 1". In the event that the lamp is tipped over, the tilt switch cuts off the power to the lamp.

Care Instructions

Use only a soft, dry cloth to clean. If necessary, a slightly damp, soft cloth can be used to spot clean. Do not use common household cleaners on lamps or fixtures, as the lacquer on the outside of the brass may be damaged as a result. Enjoy your new Holtkötter lamp.



HOLTKÖTTER®

e-mail: customerservice@holtkoetter.com
www.holtkoetter.com

Please make sure that the following parts for your torchiere are enclosed:

1. Torchiere
2. Glass shade
3. Glass shield
4. Bulb: 100 Watt G9 Halogen Bulb by Bulbrite Industries
Order Code: 9250*100-HPNCL

Install the Bulb

Be sure that the lamp is turned off and unplugged prior to installation.

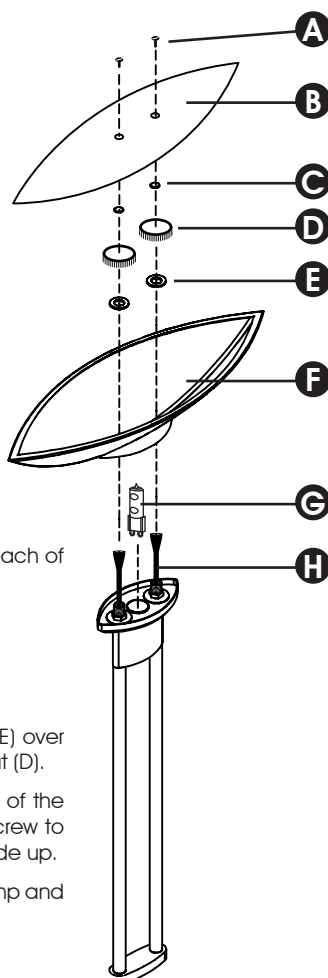
Install the new bulb (G), being careful not to touch the bulb envelope with your bare hands. Insert the bulb into the socket and push down to seat it in the socket.

Note of Caution: The recommended replacement bulb for this fixture is the 100 Watt G9 Halopin bulb. Use of other brands of unknown quality may cause a risk of overheating.

Install the Glass Shade (Diagram A)

Once the bulb is installed, the glass shade (F) can be installed.

1. Remove the parts listed below from the lamp (located on each of the two prongs on the top of the lamp) :
 - Screw (A)
 - Silicone Ring (C)
 - Knurled Nut (D) and
 - Washer (E).
2. Place the Glass Shade (F) onto the lamp. Slide a washer (E) over each of the stems (H) and secure in place with a knurled nut (D).
3. Prepare the glass shield (B) by placing a screw (A) in each of the holes provided. Slide a small silicone ring (C) over each screw to hold in place. Place the glass shield over the fixture shiny side up.
4. Align the screws (A) in the glass shield with the stem of the lamp and screw into place. Do not overtighten.



ASSEMBLY INSTRUCTIONS FOR Halogen Torchiere No. 2517*P1 Featuring "Dimm System Punkt 1" (Dimming System Point 1)

Replace the Fuse

An integrated fuse to protect the dimming circuit can be found in the base of the lamp. Please check the fuse first, in case the lamp does not come on. A four (4) Amp replacement fuse can be found at any hardware store or Radio Shack store.

