



9680\*P1 LED SN



P1 Detail



LED Detail

**HOLTKÖTTER**  
The Ultimate LED™

#### DIMMER FEATURES

The Dimm-System Punkt 1 (\*P1) has the following features:

**Point Dimming** - the lamp may be turned on with a single click of the P1 dimmer.

**Soft On** - the lamp will come on low and continue to brighten to full brightness. This allows the eye to adjust to a gradual increase in light.

**Soft / Delayed Off** - turn the lamp off with a single click of the P1 dimmer. The lamp will dim to 60% brightness of the original setting, remaining briefly at that level to allow you to exit the room, then the lamp gradually turns itself off. This "soft" off provides a few moments of light after turning the lamp off, rather than immediate darkness as is the case with other switches.

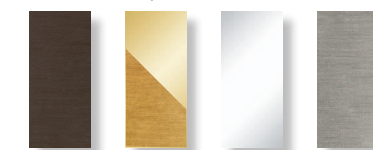
**Dimming Cycle** - to adjust the lamp to the perfect light level for any situation, press and hold the P1 dimmer. The dimmer will cycle through all dimming levels. When the lamp achieves the light level of your choice, release the P1 dimmer.

www.holtkoetter.com  
2015 © Holtkötter

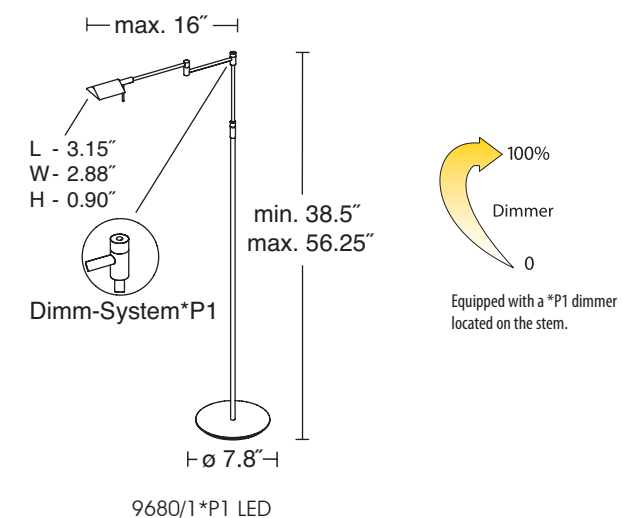
#### 9680\*P1 LED

#### FINISH OPTIONS

HBOB PB/BB CH SN



#### DIMENSIONS / BULBS



#### LED SPECIFICATIONS

<b>Light Engine:</b>	Holtkötter Bridge Board LED 11-1 with 1x Citizen LED
<b>Optic / Reflector:</b>	Holtkötter Aluminum Reflector 63 x 76 mm with 60° Optics
<b>Light Output:</b>	440 Lumens equivalent to 40 W Halogen
<b>Light Color:</b>	2900 Kelvin / CRI 90
<b>Control / LED Driver / Dimmer:</b>	Holtkötter Dimm-System*P1 LED with full-range dimming of <0.1% - 100%
<b>Maximum Current / Voltage:</b>	500mA & 7V
<b>System Power Consumption:</b>	3.5 Watts