



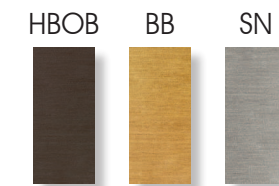
6317*LED SLD SN



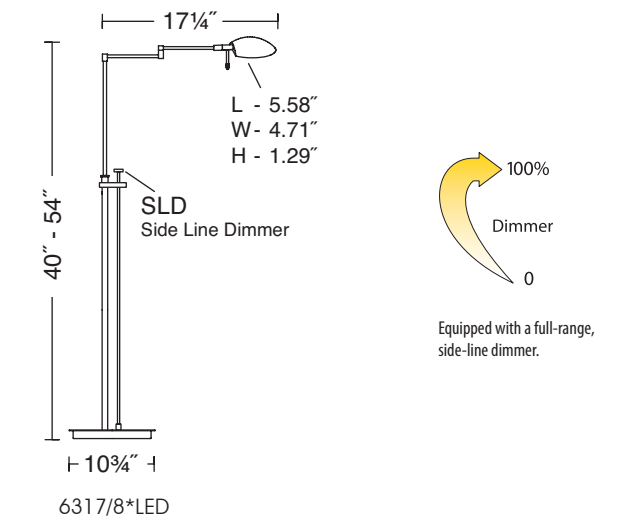
LED Detail

6317*LED SLD SLD - Side Line Dimmer

FINISH OPTIONS



DIMENSIONS



LED SPECIFICATIONS

Light Engine:	Holtkötter PC Board LED 11-8 with 8x CREE XP-G LEDs
Optic / Reflector:	Holtkötter Aluminum Reflector ø 134x100 with 60° x 5mm Optics
Light Output:	1300 Lumens, equivalent to 80 W Halogen
Light Color:	2900 Kelvin / CRI 90
Control/LED Driver/Dimmer:	Holtkötter Dimm-System LED with full-range dimming of < 1% - 100%
Maximum Current/Voltage:	1000mA & 13V
System Power Consumption:	2...13 Watt