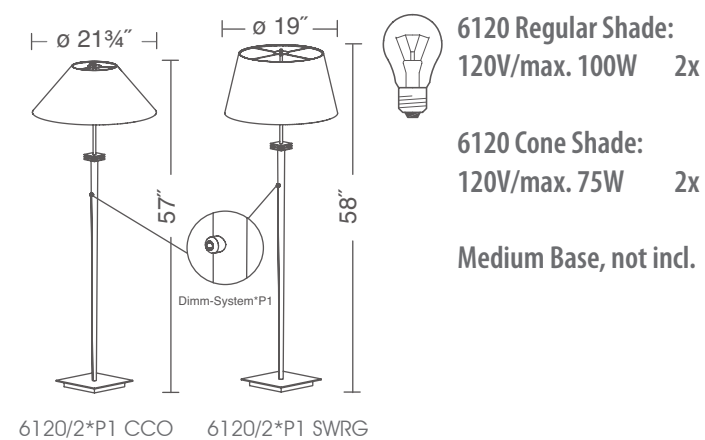




6120*P1
6121
6122

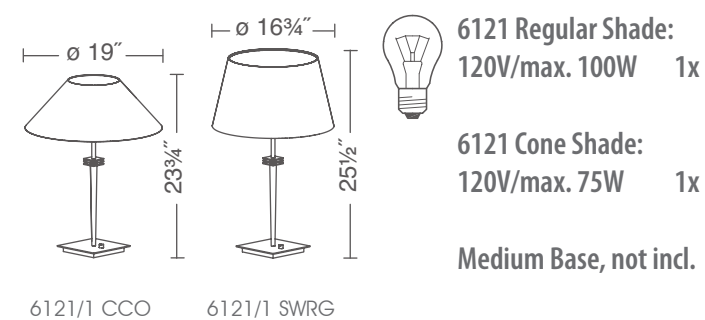
DIMENSIONS / BULBS



6120 Regular Shade:
120V/max. 100W 2x

6120 Cone Shade:
120V/max. 75W 2x

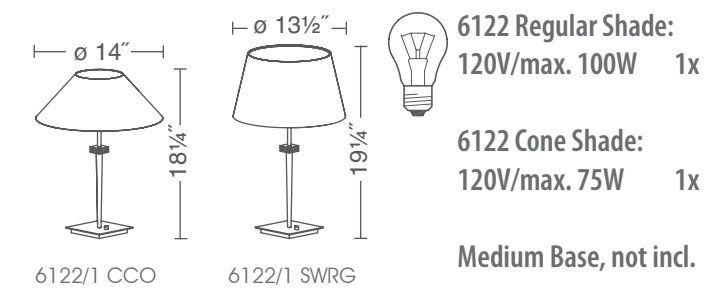
Medium Base, not incl.



6121 Regular Shade:
120V/max. 100W 1x

6121 Cone Shade:
120V/max. 75W 1x

Medium Base, not incl.

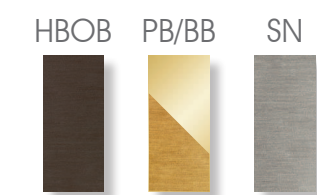


6122 Regular Shade:
120V/max. 100W 1x

6122 Cone Shade:
120V/max. 75W 1x

Medium Base, not incl.

FINISH OPTIONS



SHADE OPTIONS



Regular Shade available only in Satin White.
Cone Shade available only in Cognac.

TECHNICAL DETAILS

The Dimm-System Punkt 1 (*P1) has the following features:

- Point Dimming** - the lamp may be turned on with a single click of the P1 dimmer.
- Soft On** - the lamp will come on low and continue to brighten to full brightness. This allows the eye to adjust to a gradual increase in light.
- Soft / Delayed Off** - turn the lamp off with a single click of the P1 dimmer. The lamp will dim to 60% brightness of the original setting, remaining briefly at that level to allow you to exit the room, then the lamp gradually turns itself off. This "soft" off provides a few moments of light after turning the lamp off, rather than immediate darkness as is the case with other switches.
- Dimming Cycle** - to adjust the lamp to the perfect light level for any situation, press and hold the P1 dimmer. The dimmer will cycle through all dimming levels. When the lamp achieves the light level of your choice, release the P1 dimmer.
- Tilt Switch** - a safety measure is provided with the "Dimm System Punkt 1". In the event that the lamp is tipped over, the tilt switch cuts off the power to the lamp.

6120*P1 HBOB CCO (r)
6121 HBOB CCO (l)
6122 HBOB CCO (m)