
HOLTKÖTTER®

The Ultimate Lighting Machines™

205 Hardman Avenue South, South Saint Paul, MN 55075
Voice: (800) 899-5444 • Fax: (888) 552-8661
e-mail: customerservice@holtkoetter.com
www.holtkoetter.com

UL requires the following safety instructions:

Lighted lamp is HOT! **WARNING:** Improper use of this fixture may increase the risk of FIRE, ELECTRICAL SHOCK, EXPOSURE TO EXCESSIVE RADIATION or INJURY TO PERSONS.

IN ORDER TO REDUCE THESE RISKS, PLEASE FOLLOW THESE SAFETY INSTRUCTIONS:

1. Before replacing bulb, DISCONNECT power and allow bulb to cool.
2. DO NOT touch hot glass shield or operate lamp with a missing glass shield.
3. Keep lamp away from materials that may burn.
4. Do not remain in light if skin feels warm or look directly at a lighted bulb.

ASSEMBLY INSTRUCTIONS FOR

Halogen Wall Sconce

No. 8520



8520/1

Care Instructions

Use only a soft, dry cloth to clean. If necessary, a slightly damp, soft cloth can be used to spot clean. Do not use common household cleaners on lamps or fixtures, as the lacquer on the outside of the brass may be damaged as a result. Enjoy your new Holtkötter fixture.

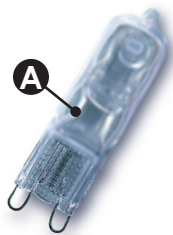
HOLTKÖTTER®

e-mail: customerservice@holtkoetter.com

www.holtkoetter.com

Please make sure that the following parts for your wall sconce are enclosed:

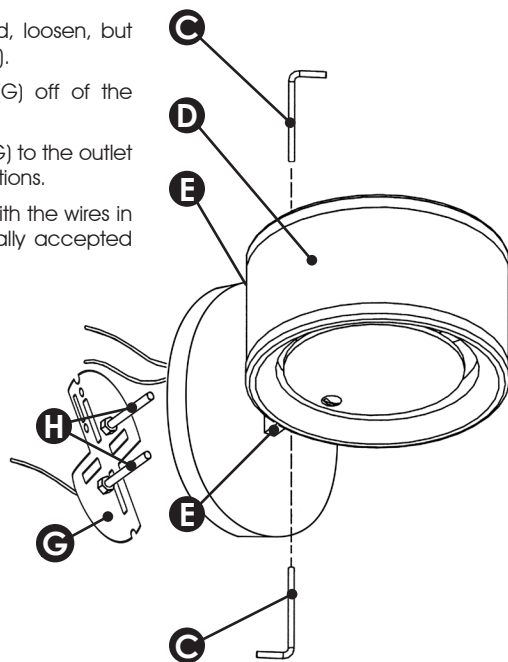
- A. 75 Watt frosted Halopin Bulb
- B. Glass Shield (two attached to fixture)
- C. Allen Wrench
- D. Wall Sconce



IT IS FIRMLY RECOMMENDED THAT A LICENSED ELECTRICIAN INSTALL THIS FIXTURE. DISCONNECT POWER BEFORE SERVICING.

General Installation Instructions

1. Disconnect power to the outlet.
2. Using the allen wrench (C) provided, loosen, but do not remove the two set screws (E).
3. Slide the universal crossbar strap (G) off of the fixture.
4. Mount the universal crossbar strap (G) to the outlet box before making the wire connections.
5. Connect the wires from the fixture with the wires in the outlet box according to generally accepted electrical standards
6. Slide the fixture back onto the screws (H) attached to the universal crossbar strap.
7. Retighten the set screws (E) to secure the fixture to the crossbar strap.



ASSEMBLY INSTRUCTIONS FOR Halogen Wall Sconce No. 8520

Install or Replace Bulb

1. Disconnect power to the wall sconce.
2. Using a flat head screwdriver, unscrew the finished screw (F) located on the glass shield. Remove the glass shield (B).
3. Remove the old bulb if needed.
4. Insert the 75 Watt (max.) halopin bulb (A) by pushing it gently down into the socket. **NOTE: BE CAREFUL NOT TO TOUCH THE BULB WITH YOUR BARE HANDS.**
5. Reinstall the glass shield using the previously removed finished screw (F).

